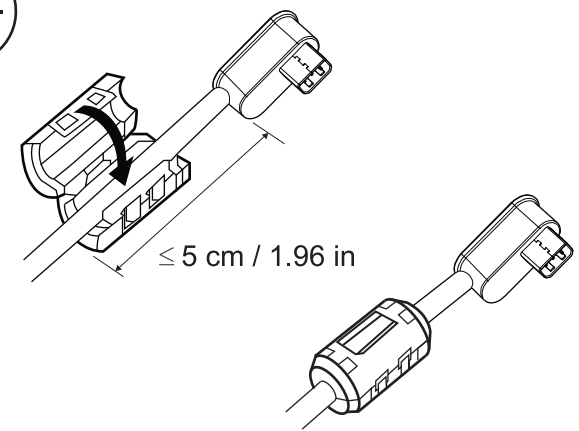
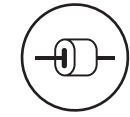
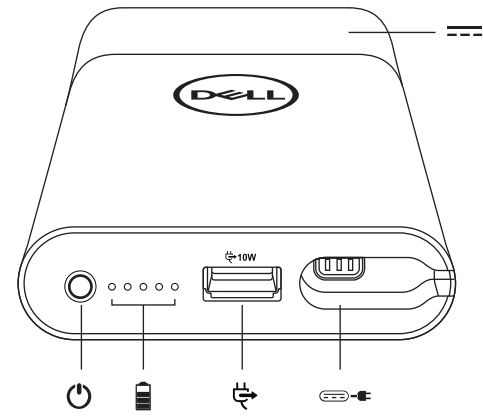
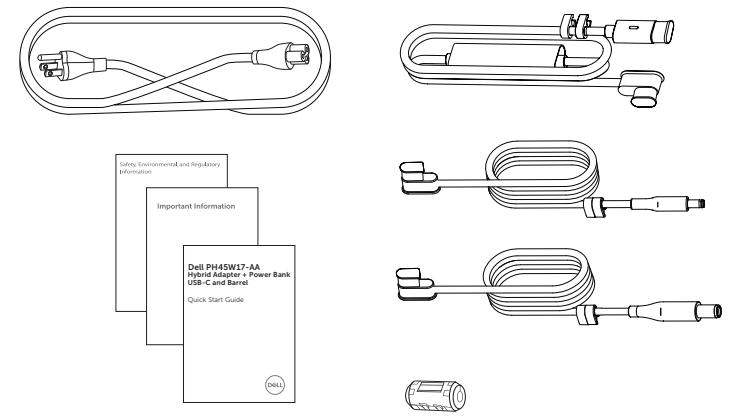
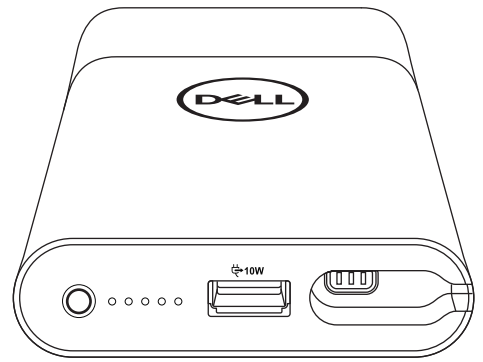
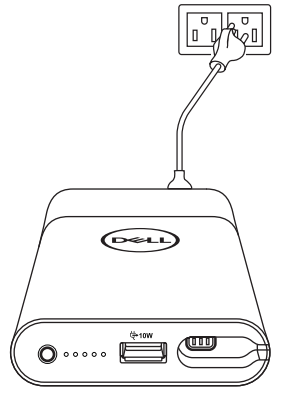


# Dell PH45W17-AA Hybrid Adapter+Power Bank USB-C and Barrel

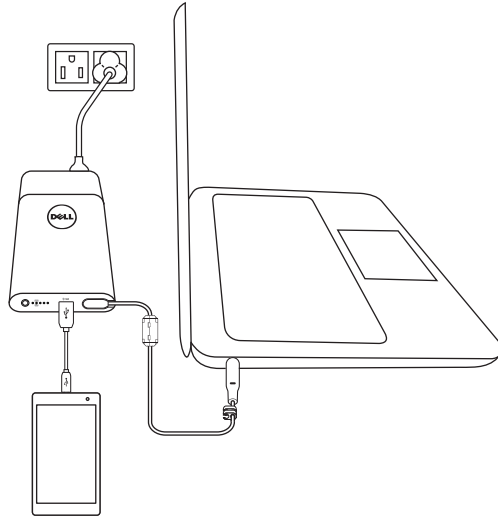
Quick Start Guide



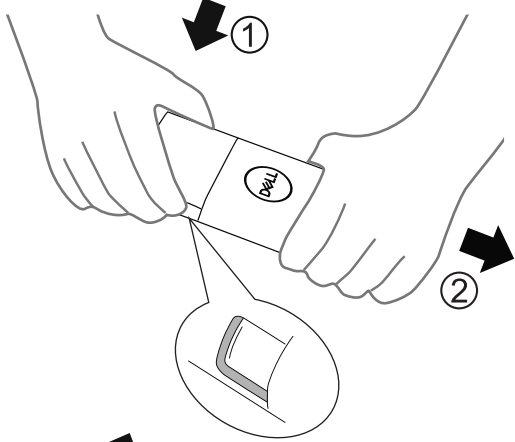
1



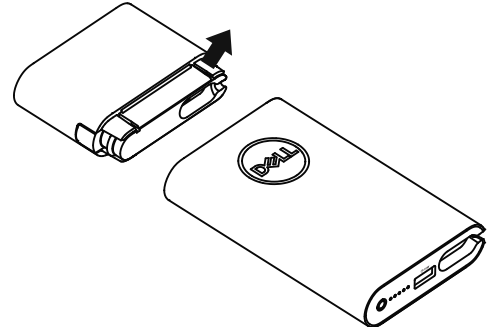
2



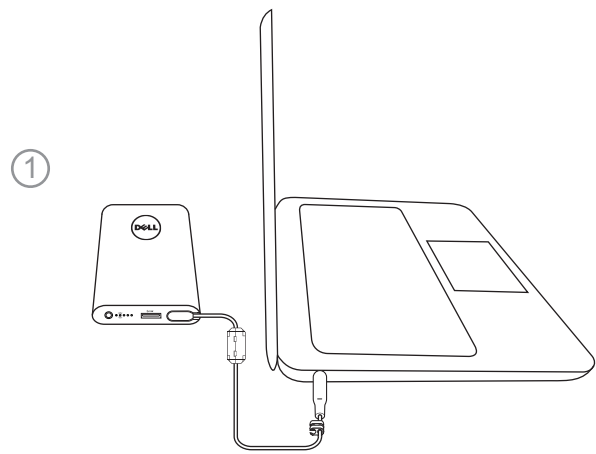
1



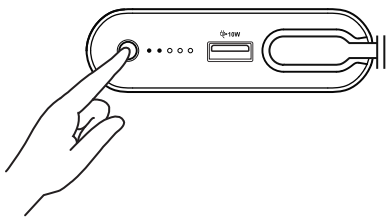
2



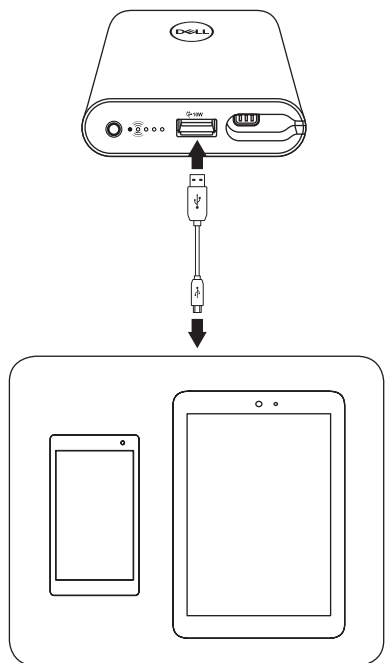
3



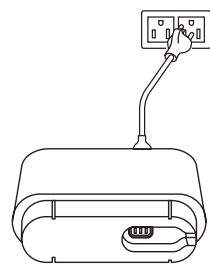
2



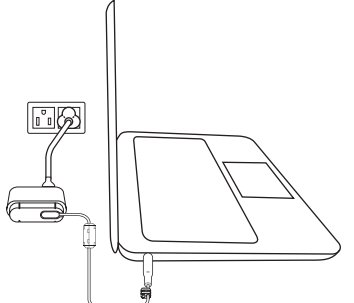
4



1



2



Dell.com/support  
Dell.com/support/manuals  
Dell.com/regulatory\_compliance